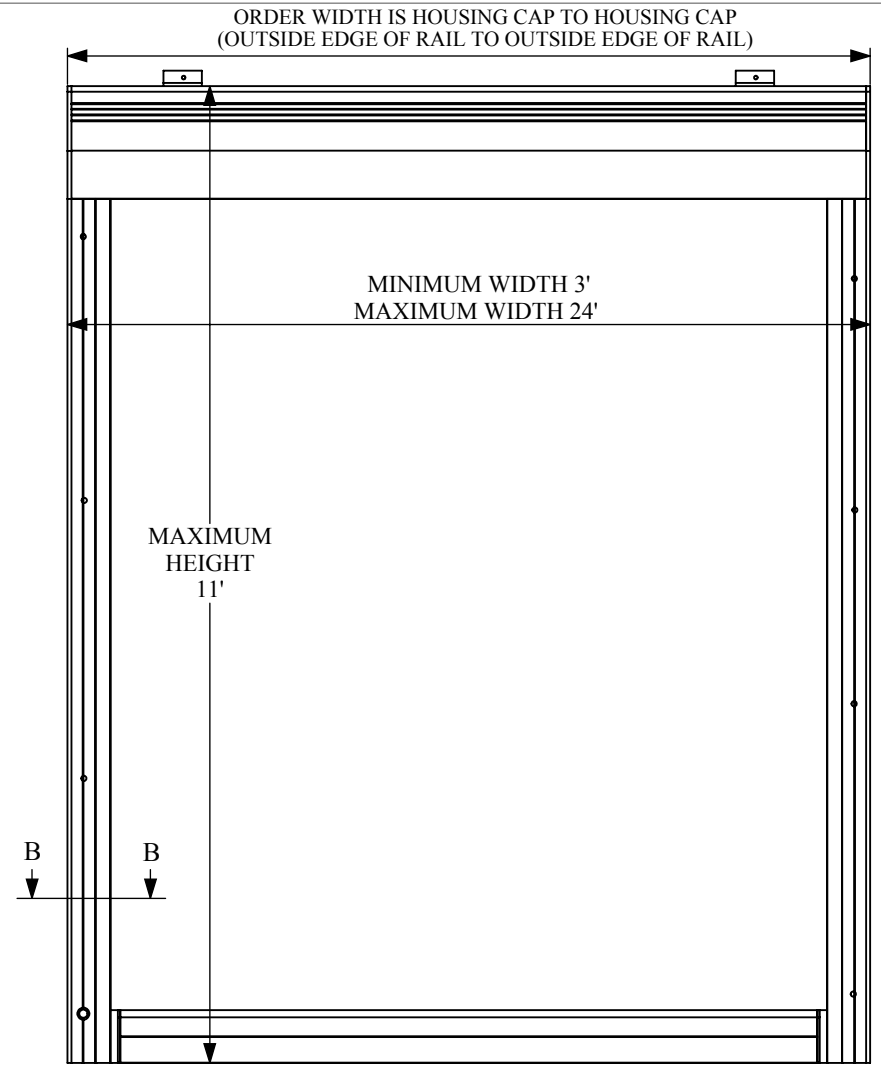
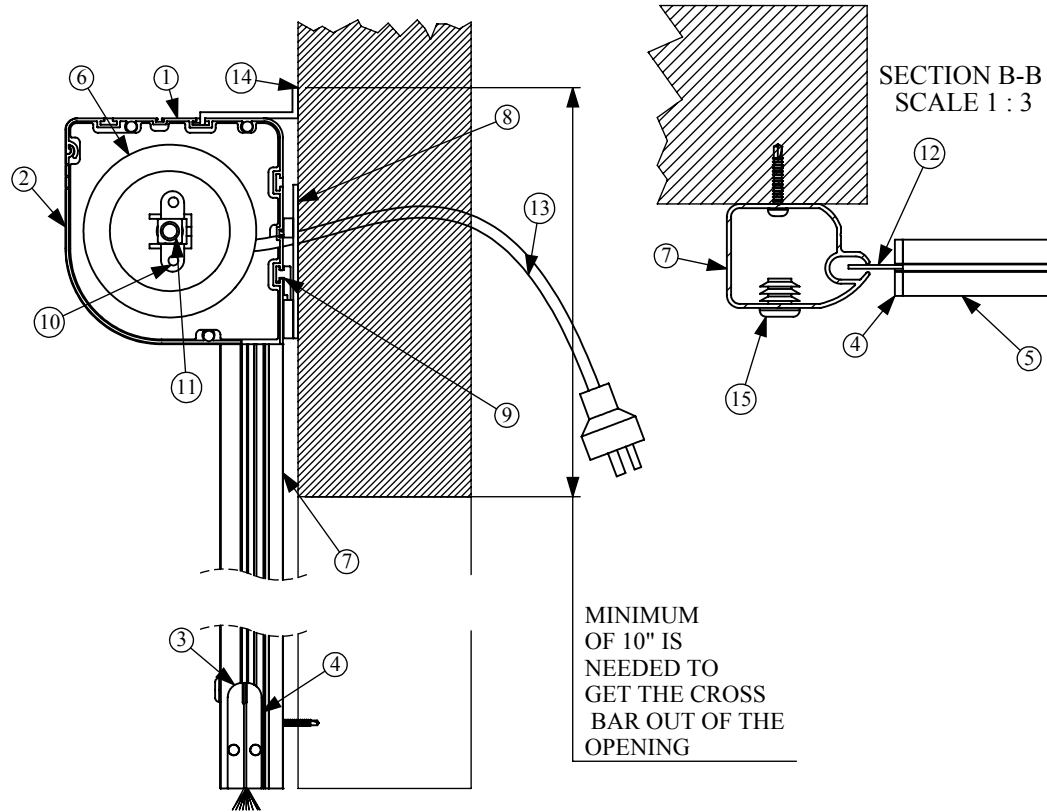
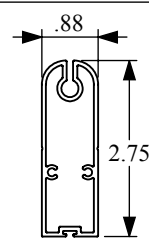


# PANORAMA MOTORIZED OUTSIDE ABOVE HEADER

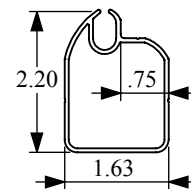


NO.#	DESCRIPTION	QTY.
1	Housing Back	1
2	Front Cover	1
3	Pull Bar Cap - Left	2
4	Pull Bar Cap - Right	2
5	Crossbar	1
6	Roll Tube	1
7	Rail	2
8	Quick Bracket	2
9	Housing Bracket	2
10	Idler Bracket	1
11	Nylon Bearing	1
12	Stainless Steel Guide	2
13	Power Cord	1
14	Strap Bracket	2
15	Rail Plug	8

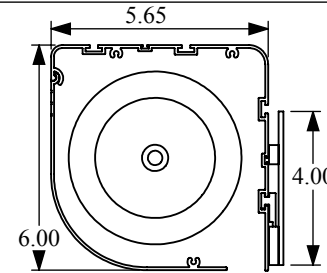
MOTOR SPECS	MOTOR	VOLTS	AMPS	Hz	TORQUE IN/LBS	RPM
	535A2	120 VAC	2.1	60	308	20



CROSSBAR



RAIL



HOUSING/ ROLL TUBE



OUTSIDE ABOVE HEADER

SIZE <b>A</b>	DWG. NO.	REV. A1 1-20-10
SCALE: 1:20	WEIGHT:	SHEET 1 OF 1